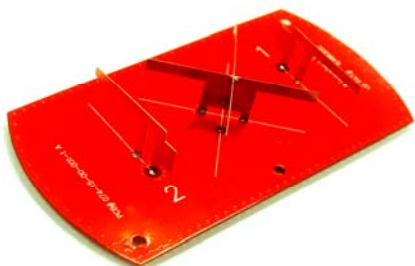


MaxBeam40N Smart Antenna

Smart Directional Antenna for 802.11b/g and 802.11n systems



The MaxBeam40N delivers improved performance for 802.11b/g and Draft-N MIMO systems while eliminating the need for external dipole antennas

The MaxBeam40N MIMO smart antenna utilizes patented beam forming technology to deliver greater signal strength and receive sensitivity than conventional dipole solutions. The MaxBeam40N antenna's unprecedented performance is derived by combining the benefits of two high gain directional antenna elements with high isolation between each element. This directionality and high isolation provides greater improves SNR while enhancing channel modes, thereby increasing the range and throughput of 802.11n devices. Its unique design also allows for integration inside routers, gateways and bridge devices, eliminating the need for external antennas. The MaxBeam40N operates in the 2.4GHz frequency and is compatible with existing 802.11 b/g and draft-N systems in a 2x2 configurations.

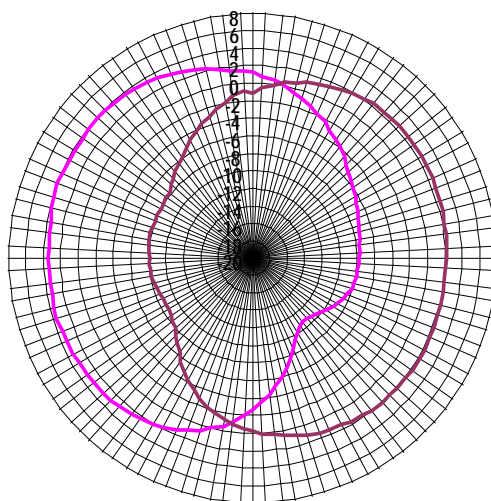
Features

-))) 2 Element/2 Cable Directional MIMO antenna provides peak gain of 4.0dBi
-))) Fully compatible with 802.11b/g and 802.11n systems
-))) Independent, pre-tuned, subsystem can be easily integrated into products

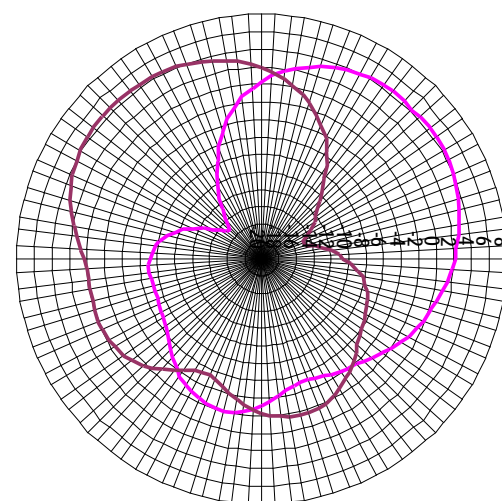
Benefits

-))) Eliminates external dipole antennas without sacrificing performance
-))) Provides superior horizontal and vertical coverage optimized for Indoor performance
-))) Provides extended range without increasing radiated power

Azimuth



Elevation



Airgain USA

sales@airgain.com
1930 Palomar Point Way, Suite 107
Carlsbad, CA, 92008
+1 760 579 0200

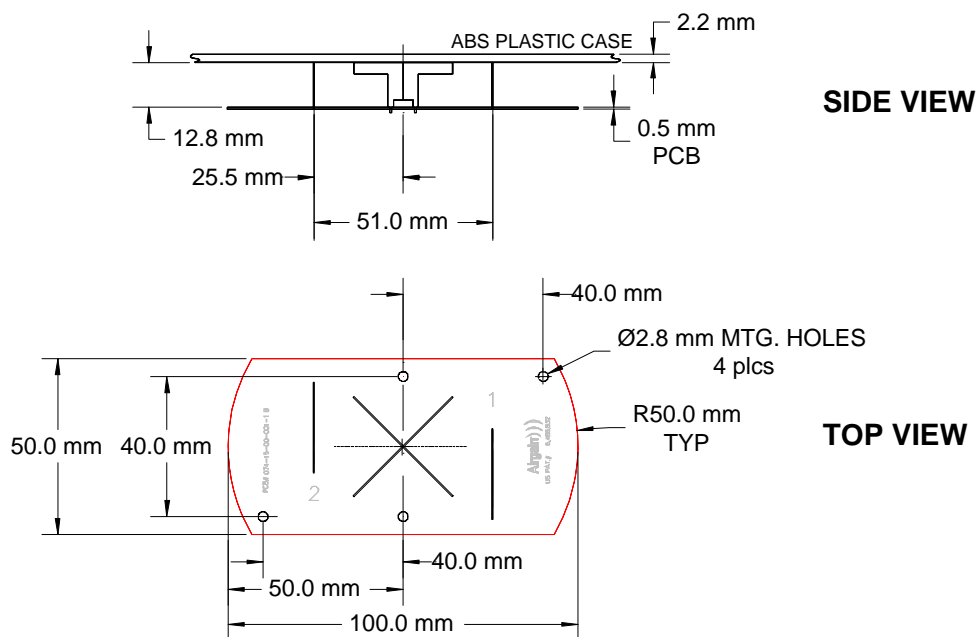
Airgain Taiwan

asiasales@airgain.com
2F, No. 183, Zhouzi St., Neihu District
Taipei City 114 Taiwan (R.O.C.)
+88 622 659 8846

Product Specifications

Standard	IEEE 802.11b/g and 802.11n
Frequency Band	2.4 to 2.49 GHz
Peak Gain	4.0 dBi @2.44GHz (pre-cable loss)
VSWR	2:1 Max
Polarization	Linear, vertical
Dimensions	100L x 50W x 15H mm
Feed Impedance	50 Ohms
Power Handling	30 dBm
Interface	Two sets of soldering pads for 50 ohm, 1.13mm diameter, micro coax cable
Temperature	Operating: 0 to 60°C; Storage -20 to 70°C
Humidity	Operating: 0 to 70%; Storage 0 to 95% non-condensing
Compliance	FCC Part 15 Class B; RoHS compliant

Mechanical Dimensions



Information in this document is provided in connection with Airgain™ products. No license, express or implied, to any intellectual property rights is granted by this document. Except as provided in Airgain's Terms and Conditions of Sale for such products, Airgain assumes no liability whatsoever, and Airgain disclaims any express or implied warranty, relating to sale and/or use of Airgain products including liability or warranties relating to fitness for a particular purpose, merchantability, or infringement of any patent, copyright or other intellectual property right. Airgain may make changes to specifications and product descriptions at any time, without notice. For the most current product information, please visit:

www.airgain.com

Copyright © 2008, Airgain, Inc. All rights reserved.
Airgain and the Airgain logo are trademarks of Airgain, Inc.
DS/MB40N/0208