

OMNIMAX[®] Indoor Dipole

AP-Dipole-90-I-S2-BL



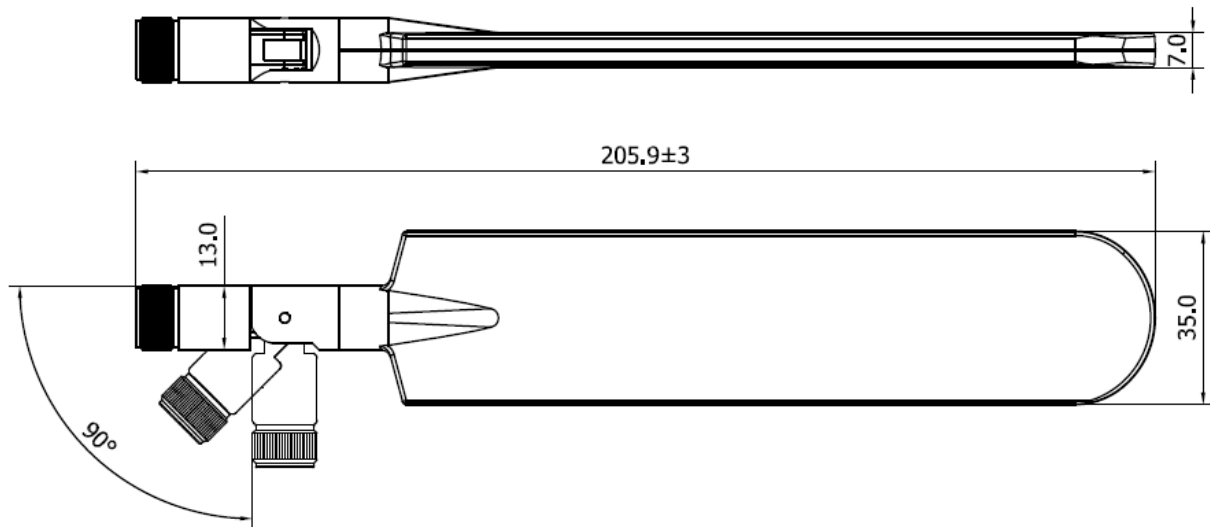
The AP-Dipole-90-I-S2-BL is an omni-directional high performance antenna solution for the 900 MHz ISM band. This antenna is designed to accommodate indoor communications in the domestic ISM frequency band, including LoRa protocol Internet of Things (IoT) applications.

- Omni-directional dipole antenna
- LoRa IoT band coverage (902-928 MHz)
- 1.7 dBi @ 910 MHz nominal peak gain
- High efficiency

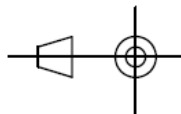
Configuration

AP-Dipole-90-I-S2-BL 902 to 928 MHz, ISM band antenna, ideal for LPWAN gateway applications including LoRa and Sigfox / 1.7 dBi nominal peak gain / Rotatable 90° on base hinge, Indoor Antenna, SMA connector, Black

Dimensions



Drawing Style



Unless otherwise specified, tolerances are +/-0.2mm

Specifications and Interface	
Standard	Standard U.S. LoRa, 900 MHz ISM Band
Frequency Range	902-928 MHz
Peak Gain	1.7 dBi @ 910 MHz
VSWR	< 2:1
Feed Impedance	50 ohms
Power Handling	30 dBm
Interface	SMA Male Connector
Dimensions	205.9 mm(L) x 35 mm(W) x 7.7 mm(H)
Weight	40 g
Temperature Range	Operating -30°C to +75°C Storage -30°C to +75°C
Humidity Range	5 to 95%