

OMNIMAX[®] Indoor Dipole

AP-Dipole-C5-IW-S2-BL



The AP-Dipole-C5-IW-S2-BL antenna is an ultra-wideband externally mounted antenna providing coverage for all 5G NR sub-6GHz and 4G LTE bands from 600 MHz to 6 GHz. This compact externally mounted antenna provides high efficiency for IoT and M2M applications for indoor cellular modules, modems, and gateways. This antenna outperforms competing products on the market and provides coverage for all cellular standards below 6GHz, including CDMA, DCS, PCS, and GSM 2G, 3G, 4G, 5G and CBRS frequency bands in use globally.

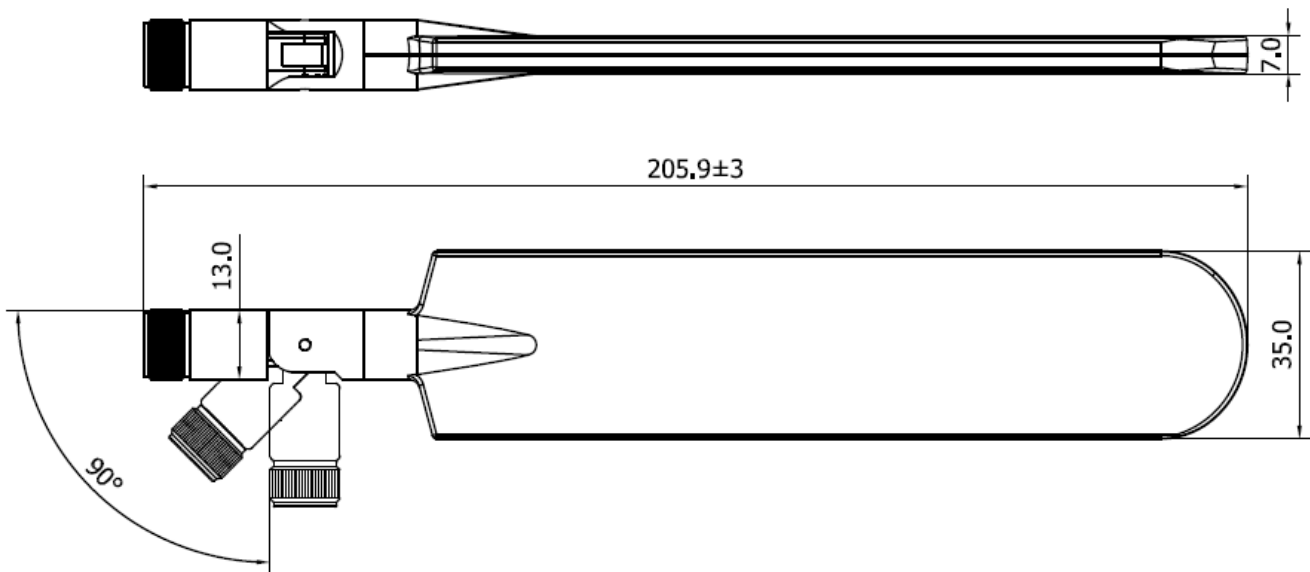
- Omni-directional dipole antenna
- Covers all 5G sub-6GHz and 4G LTE bands from 600 MHz to 6 GHz
- High efficiency

Configuration

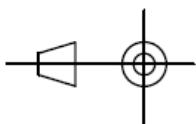
AP-Dipole-C5-IW-S2-BL

Multi-band (0.6 to 6 GHz), provides international coverage of cellular bands below 6GHz including 4G, 5G and CBRS/ High efficiency, highly omni-directional coverage / Rotatable 90° on base hinge, indoor Antenna, Wide, SMA connector, Black

Dimensions



Drawing Style



Unless otherwise specified, tolerances are +/-0.2mm

Specifications and Interface	
Standard	CDMA, DCS, PCS, and GSM 2G, 3G, 4G, CBRS and LAA frequency bands in use globally
Frequency Range	703-960 MHz; 1710-2170 MHz; 2300-2400 MHz; 2500-2690 MHz, 600 MHz-6.0 GHz
Peak Gain	2.4 dBi @ 700 MHz; 1.1 dBi @ 850 MHz; 2.6 dBi @ 960 MHz; 3.2 dBi @ 1750 MHz; 4.2 dBi @ 2150 MHz; 3.2 dBi @ 2450 MHz; 4.1 dBi @ 3700 MHz; 4.2 dBi @ 4100 MHz; 5.1 dBi @ 5500 MHz
VSWR	< 2.5:1
Feed Impedance	50 ohms
Power Handling	30 dBm
Interface	SMA Male
Dimensions	205.9 mm(L) x 35 mm(W) x 7.7 mm(H)
Weight	40 g
Temperature Range	Operating -30°C to + 75°C Storage -30°C to + 75°C
Humidity Range	5 to 95%