



## Lantern™ Fixed Wireless Access (FWA)

Airgain's outdoor 5G Lantern™ Fixed Wireless Access (FWA) device has integrated best-in-class antennas with a 5G FR1 modem covering 617-4200 MHz. It is a robust Gigabit outdoor FWA device with IP67 rating that comes bundled with a patent-pending easy installation kit that simplifies installation and includes TR-069 remote management. The easy installation kit includes a web-based interface that allows you to observe the real-time signal quality and adjust the direction of the device to maximize the signal strength.

### FEATURES

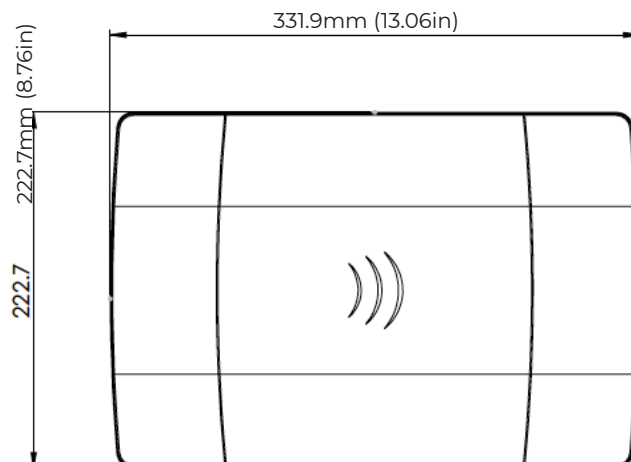
- 3GPP Release 16 compliant
- Powered by an included PoE (Power over Ethernet) injector
- Up to 4x4 MIMO and 256QAM on downlink
- Supports Power over Ethernet (POE)

### ADVANTAGES

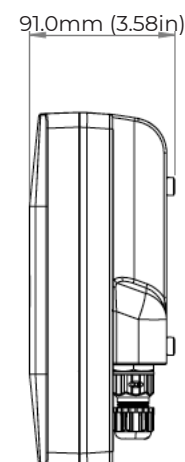
- EZ Installation web interface simplifies installation
- Ruggedized for long outdoor use
- Optional EZ Installation Kit that enables “wire-free” site evaluation prior to installation
- TR-069 remote management

### DIMENSIONS (in mm)

Front View



Side View



## PART NUMBERS

PART NUMBER	DESCRIPTION
CY-LN5G-NAQ	Lantern outdoor FWA, white, includes PoE injector and mounting bracket

## TECHNICAL SPECIFICATIONS

### MECHANICAL

Dimensions	331.9 x 222.7 x 91.0mm (13.06 x 8.76 x 3.58 in)	
Weight	2.1 kg (FWA) + 0.8 kg (Mounting Bracket)	
Waterproof	IP67	
Operating Temperature	-30 ~ +55 °C	
Operating Humidity	5~95 %	

### ELECTRICAL

NR BB Chipset	SDX62 (3GPP Rel-16)	
LAN Port	2.5 Gbps LAN + PoE (x1)	
Supported Bands	5G	n2/n5/n7/n12/n13/n14/n25/n26/n29/n30/n38/n41/n48/n66/n70/n71/n77/n78
	LTE-FDD	B2/B4/B5/B7/B12/B13/B14/B17/B25/B26/B29/B30/B66/B71
	LTE-TDD	B38/B41/B42/B43/B48
MIMO	5G	DL: n2/n5/n7/n12/n14/n25/n29/n30/n38/n41/n48/n66/n70/n71/n77/n78 (4x4)
		UL: n38/n41/n77/n78 (2x2, only in SA mode)
	LTE	DL: B2/B4/B5/B7/B12/B13/B14/B17/B25/B26/B29/B30/B38/B41/B42/B43/B48/B66/B71 (4x4)
BT/Wi-Fi	2.4 GHz (1x1)	
GNSS	GPS/GLONASS/BeiDou/Galileo	
Antenna (LTE & 5G)	LB (617-960 MHz): Omni-directional (Gain < 3.0 dBi)	
	HB (1710-2690 MHz): Directional (Gain < 9.2 dBi)	
	UHB (3300-4200 MHz): Directional (Gain < 11.8 dBi)	
SIM	4FF Nano SIM	