



## AirgainConnect® Fleet™

### 5G Vehicle Gateway

AirgainConnect Fleet, or AC-Fleet™, is an integrated 5G modem, Wi-Fi 6 router and high performance antenna solution designed for mounting to the roof of any vehicle. The compact housing has been certified to thrive in the most rugged outdoor conditions and is a mere 2 inches (5.1 cm) tall to be more covert and less obstructive. Manage each device locally or manage a fleet of devices remotely with a subscription to Airgain's cloud services.

### FEATURES

- 5G FR1 (sub-6GHz) and LTE Cat 19 modem with 4x4 MIMO
- 1 GbE RJ45 LAN connection (4-port switch available as accessory)
- Dual-band simultaneous Wi-Fi 6 (2.4 & 5-6GHz) with 2x2 MU-MIMO
- Integrated GNSS
- Download multiple eSIM profiles with preloaded bootstrap
- Ignition sense for automatic power-up and adjustable power-down timer
- Ultra-low 2.0" height
- IP67 and IP69K ingress protection
- Available in black or white

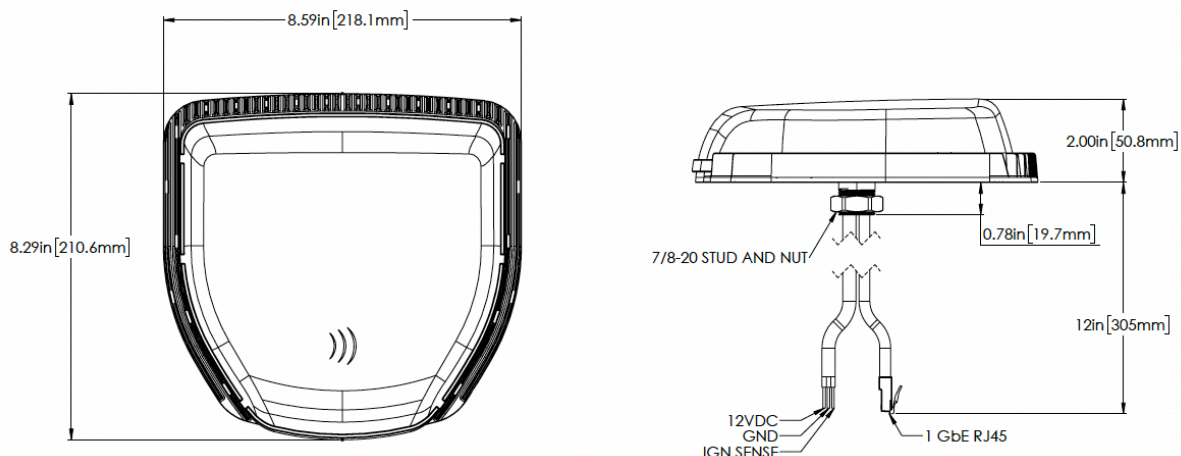
### ADVANTAGES

- All-in-one solution simplifies installation
- Easy to configure locally or remotely over the cloud
- Avoid cellular dead zones with automatic carrier switching
- Eliminates RF cable loss for better performance
- Omni-directional radiation pattern provides uniform coverage
- Includes pre-attached mounting foam for installation on uneven surfaces
- Up to 5 year limited warranty with an active cloud subscription<sup>1</sup>
- Covered by one or more patents and pending applications<sup>2</sup>

<sup>1</sup>See terms and conditions at <https://www.airgain.com/product-support/antenna-plus-product-support/>

<sup>2</sup>For a list of the patents covering this product please visit <https://www.airgain.com/patents/>

### DIMENSIONS



## TECHNICAL SPECIFICATIONS

### CONNECTIVITY

Cellular	Modem	5G NR FR1 and 4G LTE Cat 19 DL / Cat 18 UL
	MIMO	4x4 DL and 2x2 UL
	eSIM	SGP.x2 compliant MFF2 with preloaded 10-year / 500mB bootstrap profile which allows for downloading up to 4 additional MNO profiles
Ethernet	LAN	1 x 1.0 GbE
	Cable	1 ft non-removable, flat, shielded CAT6 with male RJ45 connector (female-to-female RJ45 coupler included)
Wi-Fi	Bands	Dual-band simultaneous Wi-Fi 6 (2.4 & 5-6 GHz)
	MIMO	2x2 Multi-User (MU-MIMO)
	Standard	Complies with IEEE 802.11ax
	Clients	Up to 32
GNSS	Bands	L1 GPS/Glonass/Beidou/Galileo
	Transmission	Integrated LNA and passive antenna

### ENVIRONMENTAL

Temperature	Operating: -30°C to 70°C (-22°F to 158°F)* Storage: -40°C to 85°C (-40°F to 185°F)	*reduced performance when operating at or above 70°C
Humidity (Non-Condensing)	95% RH at 60°C Operating and Storage	
Ingress Protection	IP67 (dust tight and water immersion up to 1 meter) IP69K (dust tight and up to 80°C high pressure water jets)	
Corrosion	IEC 60068-2-52 and SAE J2334 salt spray	
Shock and Vibration	Conformance to ISO MIL-STD-810G, SAE J1455 and EN61373	

### POWER

Specifications	Input Voltage	7-36 VDC with software configurable minimum operating voltage to prevent dead vehicle battery (capable of operating at 5V during transient events)
	Ignition Sense	Automatic power-up and configurable power-down timer
	Cable	1 ft non-removable, shielded multi-conductor with exposed power (red), ground (black) and ignition sense (white) wires
	Compliance	ISO 7637-2, ISO 16750-2 and IPC-9592B Class II

Consumption (@12V)	Standby Mode (Vehicle Off)	0.66 W
	Idle	10 W
	Peak	15 W

### MECHANICAL

Dimensions	Height	2.00" (50.8mm)
	Width	8.59" (218.1mm)
	Length	8.29" (210.6mm)
Weight	2.9 lbs (1.33 kg)	

### CERTIFICATIONS

Safety	IECEE Certification Bodies Scheme	
	IEC 62368-1	
Vehicle	MIL-STD-810G	
	SAE J1455	
	ISO 7637-2	
	ISO 16750-2	
Materials	WEEE	
	RoHS 2	
	REACH	
	California Prop 65	

### RELIABILITY

MTBF	15+ years (Telcordia SR-332 at 25C)	
------	-------------------------------------	--

### SOFTWARE CONFIGURATION

Simplified configuration and remote management with separate basic and advanced mode settings

Optimize cellular connectivity with IMSI profile management and carrier/APN prioritization

Configure device as a wireless Access Point

Optional Depot Mode for Wi-Fi as WAN connectivity

Stream GNSS data to 3rd party platforms

Secure network with firewall

Manage user accounts

Install firmware and configuration settings

Download system logs

#### **CLOUD SERVICES**

Organize devices into an easy to manage group

Activate multiple devices at once

Monitor and configure devices remotely

Update firmware over the air

Enable event notifications

Manage cloud users

Download cloud logs

**PART NUMBERS**

PART NUMBER	DESCRIPTION
CY-AF5G-B-NAT	AC-Fleet 5G vehicle gateway, black, 1 foot Ethernet and power cables, bolt mount with pre-attached mounting foam, first year of cloud subscription and limited warranty included
CY-AF5G-W-NAT	AC-Fleet 5G vehicle gateway, white, 1 foot Ethernet and power cables, bolt mount with pre-attached mounting foam, first year of cloud subscription and limited warranty included
CY-AFC1	1 year cloud subscription for AC-Fleet (includes up to a 5 year limited device warranty)
CY-AFC2	2 year cloud subscription for AC-Fleet (includes up to a 5 year limited device warranty)
CY-AFC3	3 year cloud subscription for AC-Fleet (includes up to a 5 year limited device warranty)
CY-AFC4	4 year cloud subscription for AC-Fleet (includes up to a 5 year limited device warranty)
CY-AFC5	5 year cloud subscription for AC-Fleet (includes up to a 5 year limited device warranty)
CY-AFES	Optional rugged 4-port Ethernet switch
CY-AFCL	Optional cigarette lighter power adapter for AC-Fleet with 15 feet of cable
CY-AFWM	Optional wall mount AC/DC power adapter for AC-Fleet with 10 feet of cable
AP-MAG	Optional universal magnetic mount adapter, compatible with AC-Fleet
AP-SCM	Optional universal suction mount adapter, compatible with AC-Fleet
AP-XTQ	Optional 1.25" bolt adapter for installation on thicker roofs

For mounting instructions please visit <https://www.airgain.com/installation-and-removal-guides/>.