

Airgain® AC-Fleet™ 5G Vehicle Gateway

Rugged, Compact, Mission-Ready
All-in-One 5G Connectivity



AirgainConnect® AC-Fleet™ is a compact, all-in-one 5G vehicle gateway purpose-built for first responders and mission-critical communications. It combines a 5G modem, Wi-Fi 6 Router, GPS/GNSS, and high-performance antennas into a single ultra-rugged, low-profile unit—just 2 inches tall.

Unlike traditional router and antenna setups that require long RF cables, AC-Fleet's integrated design eliminates signal loss and maximizes cellular performance. This ensures the fastest, most reliable connectivity, and simplified installation—ideal for public safety fleets that depend on nonstop, secure connectivity in the field.

The onboard software is designed for ease of use, requiring minimal technical expertise for setup and management. Preloaded bootstrap profile streamlines initial eSIM activation. With multi-carrier support, and a low total cost of ownership, AC-Fleet™ is ideal for agencies looking to modernize fleet connectivity without complexity.

KEY FEATURES

- **All-in-One Form Factor:** Combines 5G modem, Wi-Fi 6 Router, GPS/GNSS, and antennas in a discreet and stealthy 2" low-profile housing that does not interfere with lights or sirens
- **Multi-Network Ready:** Supports up to 4 eSIM profiles for carrier flexibility and automatic failover
- **No RF Cable Loss:** The all-in-one design eliminates signal degradation typically caused by long RF cables, ensuring strong wireless performance
- **Built for Harsh Environments:** IP67/IP69K rated for water, dust, and high-pressure washdowns
- **Cloud or Local Management:** Configure and monitor devices via AC-Cloud or through the local web interface
- **Designed for Ease of Use:** Simplified software and hardware minimizes setup and installation time, and the technical expertise required
- **Peace of Mind** – Up to 5 year limited warranty with an active cloud subscription

KEY APPLICATIONS

- **Public Safety** – Police, Fire, EMS
- **Government & Municipal Fleets** – City, state, and federal government fleets
- **Utilities & Field Service Providers** – Water, electric, gas, repair service providers
- **Transportation & Logistics** – Freight and delivery services, commercial transport fleet
- **Transit & Education** – School buses, public transit

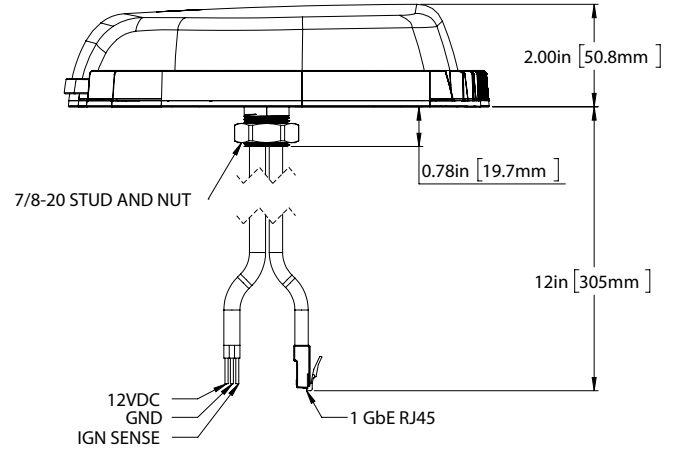
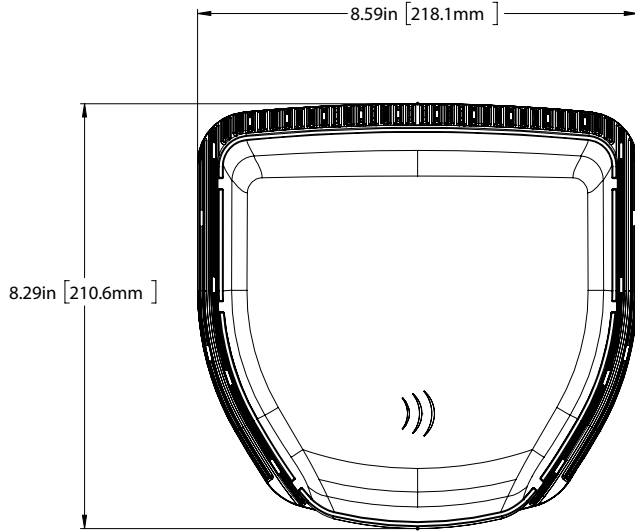


AC-Fleet™ mounting foam fits to any roof line

Airgain® AC-Fleet™ 5G Vehicle Gateway

Rugged, Compact, Mission-Ready
All-in-One 5G Connectivity

TECHNICAL SPECIFICATIONS



Connectivity	
Cellular Connectivity	<ul style="list-style-type: none"> Modem: 5G NR FR1 and 4G LTE Cat 19 DL / Cat 18 UL MIMO: 4x4 DL and 2x2 UL 5G NR Bands (NSA&SA): n1, n2, n3, n5, n7, n8, n20, n25, n28, n38, n40, n41, n48 (SA), n66, n71, n75 (SA), n77, n78, n79 4G LTE: Bands B1, B2, B3, B4, B5, B7, B8, B12, B13, B14, B17, B18, B19, B20, B25, B26, B28, B29, B32, B34, B38, B39, B40, B41, B42, B43, B46, B48, B66, B71 3G WCDMA: Bands 1, 2, 4, 5, 6, 8, 19 Carrier Aggregation: Up to 7CA for 4G LTE and EN-DC for 5G NR eSIM: SGP.x2 compliant MFF2 with preloaded bootstrap profile which allows for downloading up to 4 additional MNO profiles
Wi-Fi	<ul style="list-style-type: none"> Bands: Dual-band simultaneous Wi-Fi 6 (2.4 & 5- 6GHz) MIMO: 2x2 Multi-User (MU-MIMO) Standard: Complies with 802.11ax Clients: Up to 64 clients Depot Mode: Automatic Wi-Fi offload capability for reduced cellular data usage (Wi-Fi as WAN)
Ethernet	LAN: 1x Gigabit Ethernet port Cable: 1 ft non-removable, flat, shielded CAT6 with male RJ45 connector (female-to-female RJ45 coupler included)
GNSS	<ul style="list-style-type: none"> Bands: L1 GPS, Glonass, Beidou, Galileo Transmission: Integrated LNA and passive antenna
Antennas	Integrated high-performance antennas
Management	Local web UI, Remote cloud management via Airgain AC-Cloud (1-year included)

For more Information:
www.airgain.com sales@airgain.com +1-855-AIRGAIN

Preliminary product information. Specifications are subject to change without notice.
 Copyright © 2025 All Rights Reserved. Registered Trademarks TM Airgain, Inc. Airgain, AirgainConnect, and their associated logos are trademarks or registered trademarks of Airgain, Inc.
 Revised 04/14/25

Airgain® AC-Fleet™ 5G Vehicle Gateway

Rugged, Compact, Mission-Ready
All-in-One 5G Connectivity

TECHNICAL SPECIFICATIONS CONTINUED

Environmental	
Operating Temperature	Operating: -30°C to 70°C (-22°F to 158°F) *reduced performance when operating at or above 70°C
Storage Temperature	-40°C to 85°C (-40°F to 185°F)
Humidity (Non-Condensing)	95% RH at 60°C Operating and Storage
Ingress Protection	IP67 (dust tight and water immersion up to 1 meter) IP69K (dust tight and up to 80°C high pressure water jets)
Corrosion	IEC 60068-2-52 and SAE J2334 salt spray
Shock and Vibration	Conformance to ISO MIL-STD-810G, SAE J1455 and EN61373
Power	
Input Voltage	7-36 VDC with software configurable minimum operating voltage to prevent dead vehicle battery (capable of operating at 5V during transient events)
Ignition Sense	Automatic power-up and configurable power-down timer
Cable	1 ft non-removable, shielded multi-conductor with exposed power (red), ground (black) and ignition sense (white) wires
Compliance	ISO 7637-2, ISO 16750-2 and IPC-9592B Class II
Consumption (@12V)	Standby Mode (Vehicle Off): 0.66W, Idle: 10W, Peak: 15W
Certifications	
Regulatory	FCC, IC/ISED (Canada), PTCRB
Carrier	AT&T, FirstNet (FirstNet Trusted in progress), Verizon (Verizon Frontline in progress), T-Mobile (T-Priority in progress)
Safety	IECEE Certification Bodies Scheme IEC 62368-1
Vehicle	MIL-STD-810G, SAE J1455, ISO 7637-2, ISO 16750-2
Materials	WEEE, RoHS 2, REACH, California Prop 65
Reliability (MTBF)	30+ years (Telcordia SR-332 at 25C)

Airgain® AC-Fleet™ 5G Vehicle Gateway

Rugged, Compact, Mission-Ready
All-in-One 5G Connectivity

SOFTWARE CONFIGURATION

- Simplified configuration with separate basic and advanced mode settings
- Avoid cellular dead zones by enabling automatic carrier switching
- Configure device as a wireless Access Point
- Optional Depot Mode for Wi-Fi as WAN connectivity
- Stream GNSS data to 3rd party platforms such as Track Star
- Define routing policies
- Secure network with firewall
- Manage user accounts
- Install new firmware or saved configuration settings
- Download system logs

CLOUD SERVICES

- Monitor and configure devices remotely
- Organize devices into easy-to-manage groups
- Activate multiple devices at once and up to 4 eSIM profiles in a single device
- Optimize cellular connectivity with eSIM profile management and prioritization
- Schedule and update firmware over the air
- Enable event notifications
- Manage cloud users
- Download cloud logs

The screenshot shows the 'Devices' management interface. It includes a sidebar with navigation options like Overview, Devices, SIMs, Service Status, Groups, Cloud Users, and Logs. The main area displays a table of 139 devices. The table columns are: #, Service Status, Online Status, Device Serial#, Vehicle#, Group, Device Model, Uptime, and Firmware. The devices listed include various vehicle types like 'United Parcel #10', 'Tim Masdoni', 'On-Time Truck and Trailer', 'Peter Ferras', and 'Statetoro Fire Department'.

#	Service Status	Online Status	Device Serial#	Vehicle#	Group	Device Model	Uptime	Firmware
137	Subscribed	Online	1E040880	United Parcel #10	default	AC-Fleet	14h:16m:13s	v13.01.02.0005_0925
134	Subscribed	Online	1E040884	Tim Masdoni	default	AC-Fleet	19d 22h:50m:39s	v13.01.02.0009
100	Subscribed	Online	0E040884C	On-Time Truck and Trailer	default	AC-Fleet	2d 7h:40m:45s	v13.01.02.0005_0925
91	Subscribed	Online	0E040884	Peter Ferras	default	AC-Fleet	8d 23h:7m:25s	v13.01.02.0005
57	Subscribed	Online	0E040884		default	AC-Fleet	19h:50m:17s	v13.01.02.0010
46	Subscribed	Online	0E040880		default	AC-Fleet	18d 6h:44m:48s	v13.01.02.0005
42	Subscribed	Online	0E040884		default	AC-Fleet	11d 12h:54m:7s	v13.01.02.0005_0925
19	Expiring	Online	0E040884		default	AC-Fleet	8d 19h:27m:20s	v13.01.02.0007
139	Subscribed	Offline	1E040880	Tim Masdoni	default	AC-Fleet	--	v13.01.02.0005_0925
138	Subscribed	Offline	1E040880	Statetoro Fire Department	default	AC-Fleet	--	v13.01.02.0005_0925

AC-Cloud Device Management Portal

Airgain® AC-Fleet™ 5G Vehicle Gateway

Rugged, Compact, Mission-Ready

All-in-One 5G Connectivity

PART NUMBERS

Vehicle Gateways	
CY-AF5G-B-NAT	AC-Fleet™ 5G vehicle gateway, black, 1 foot Ethernet and power cables, bolt mount with pre-attached mounting foam, first year of cloud subscription and limited device warranty included
CY-AF5G-W-NAT	AC-Fleet™ 5G vehicle gateway, white, 1 foot Ethernet and power cables, bolt mount with pre-attached mounting foam, first year of cloud subscription and limited device warranty included
Cloud Subscriptions	
CY-AFC1	1 additional year cloud subscription for AC-Fleet™ (includes up to a 5 year limited device warranty)
CY-AFC3	3 year (total) upfront cloud subscription when purchased with AC-Fleet™ (includes limited device warranty)
CY-AFC5	5 year (total) upfront cloud subscription when purchased with AC-Fleet™ (includes limited device warranty)
Optional Accessories	
CY-AF5G-RK	Remount kit for AC-Fleet™ with replacement adhesive pad, mounting foam and conductive pads
CY-AFCL	Cigarette lighter power adapter for AC-Fleet™ with 15 feet of cable
CY-AFWM	Wall mount AC/DC to cigarette lighter power converter for CY-AFCL
CY-AFP3	3 ft 20 AWG power, ground and ignition cable
CY-AFP10	10 ft 20 AWG power, ground and ignition cable
CY-AFP15	15 ft 20 AWG power, ground and ignition cable
CY-AFP30	30 ft 20 AWG power, ground and ignition cable
CY-AFE3	3 ft Cat6 shielded Ethernet cable with male connectors on both ends
CY-AFE10	10 ft Cat6 shielded Ethernet cable with male connectors on both ends
CY-AFE15	15 ft Cat6 shielded Ethernet cable with male connectors on both ends
CY-AFE30	30 ft Cat6 shielded Ethernet cable with male connectors on both ends
AP-MAG	Universal magnetic mount adapter, compatible with AC-Fleet™
AP-SCM	Universal suction mount adapter, compatible with AC-Fleet™
AP-XTQ	1.25" bolt extension kit for installations on thicker roofs, up to 1.5" hole diameters, and between ribs of Ford Explorer

For mounting instructions please visit <https://www.airgain.com/products/airgainconnect-fleet>
 See terms and conditions at <https://www.airgain.com/product-support/antenna-plus-product-support/>
 For a list of the patents covering this product please visit <https://www.airgain.com/patents/>

For more Information:
www.airgain.com sales@airgain.com + 1-855-AIRGAIN

Preliminary product information. Specifications are subject to change without notice.
 Copyright © 2025 All Rights Reserved. Registered Trademarks TM Airgain, Inc. Airgain, AirgainConnect, and their associated logos are trademarks or registered trademarks of Airgain, Inc.
 Revised 04/14/25