



Temporary Vehicle Mounts

Universal Magnetic or Suction Mount Adapters

Temporary mounts best replicate the performance of a permanent installation when testing any of Airgain's automotive products and without the need for drilling holes in the vehicle exterior, but are not to be used as a replacement for permanent installations.

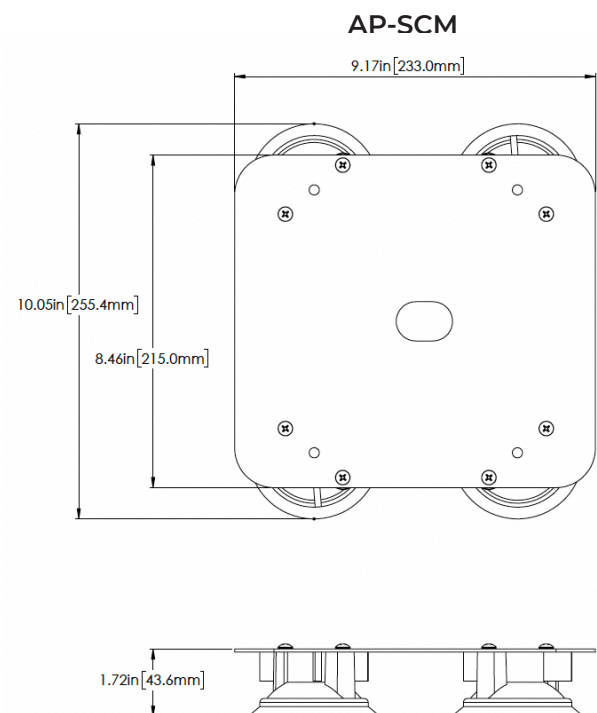
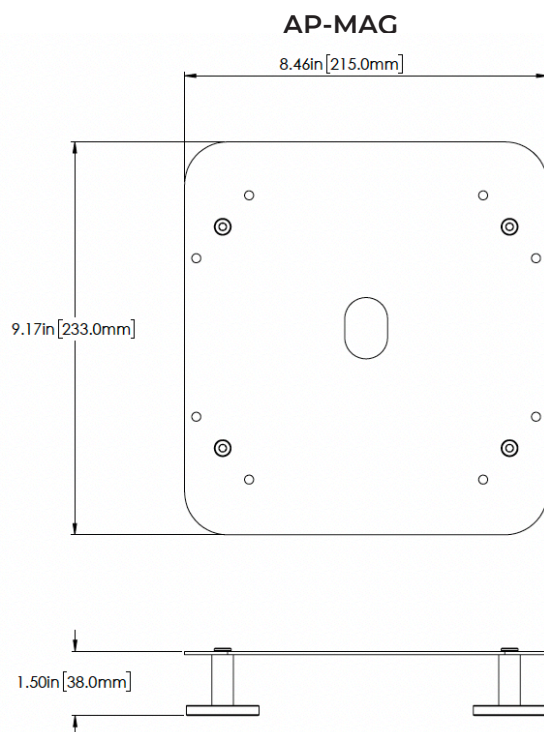
FEATURES

- Magnetic or suction mount options
- Anti-scratch material to avoid damaging vehicle paint
- Compatible with any of Airgain's bolt mount automotive products including AC-Fleet
- Fits roof of 2020+ Ford Explorer
- Available in black

ADVANTAGES

- Conveniently replicate permanent installations
- Avoid drilling holes in the vehicle exterior

DIMENSIONS



PART NUMBERS

PART NUMBER	DESCRIPTION
AP-MAG	Universal magnetic mount adapter, includes slotted washer
AP-SCM	Universal suction mount adapter, includes slotted washer

SEVERE DAMAGE WARNING. Care must be taken during temporary installations where the threaded bolt on the bottom of the Airgain automotive product is exposed to the elements. This bolt is normally inside of a vehicle and therefore NOT sealed against water ingress. It is the CUSTOMER'S RESPONSIBILITY to ensure that the bolt is never exposed to water or moisture. For permanent mounting instructions please visit <https://www.airgain.com/installation-and-removal-guides/>.